



Maria Inês Carvalho

Associate Professor, University of Porto, PT

INESC TEC, Optical and Electronic Technologies

mines@fe.up.pt



Research areas

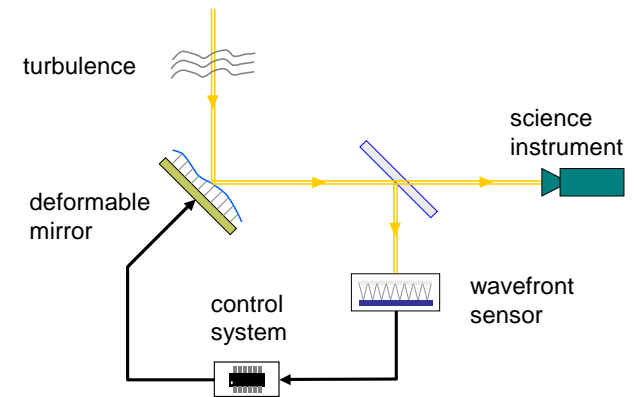
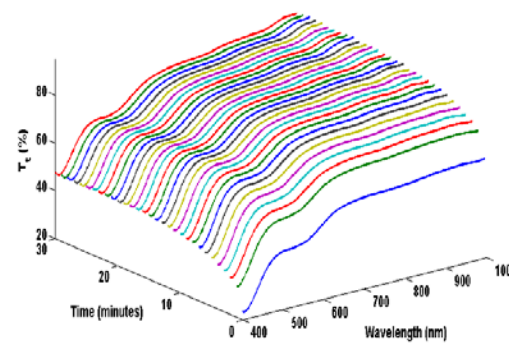
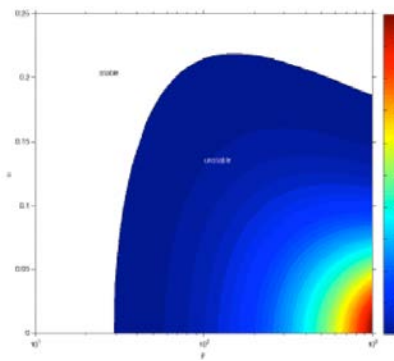
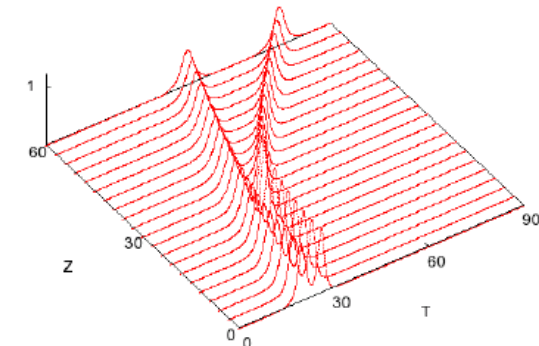
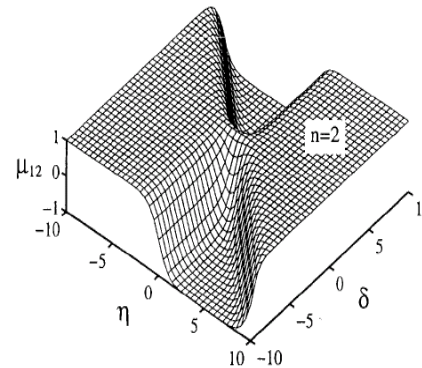
Propagation of EM waves

Solitons in nonlinear media

Supercontinuum generation

Adaptive optics

Optical clearing of biological tissues



INESC TEC
TECHNOLOGY & SCIENCE
ASSOCIATE LABORATORY

COORDINATED BY
INESC PORTO
PORTUGAL

U. PORTO

Faculdade de Engenharia