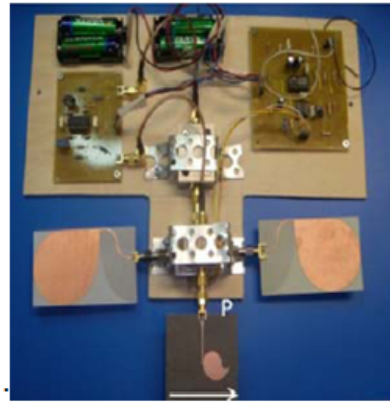
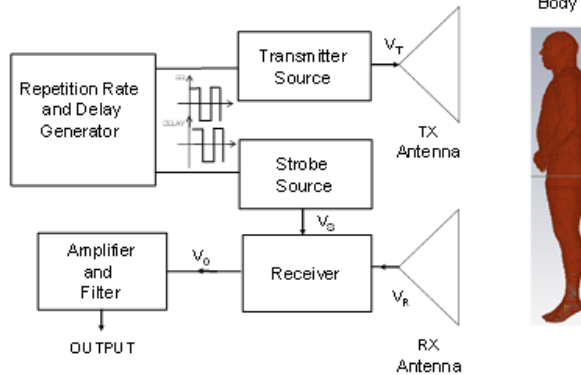


EM Diagnostic in medicine

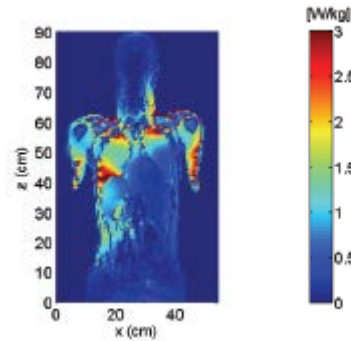
Stefano Pisa, Erika Pittella, Emanuele Piuze

DIET - Sapienza Università di Roma

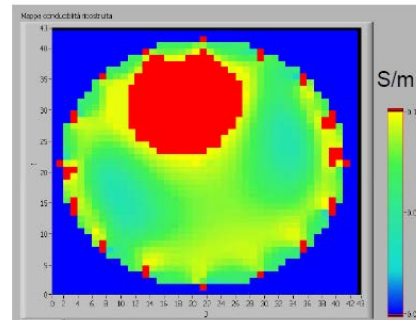
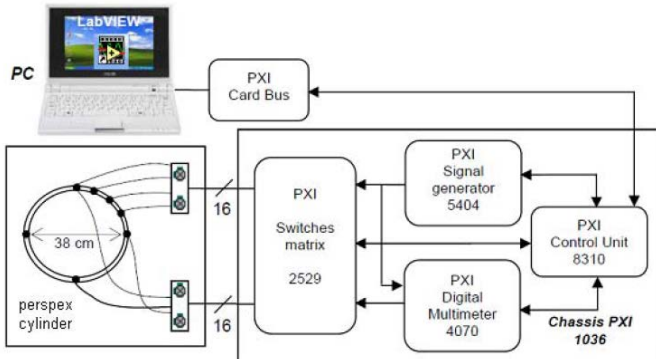
pisa@die.uniroma1.it



Radar sensors for breath activity monitoring



3 T MRI for patients with implanted pacemakers



Electrical impedance tomography